



Technical Data Sheet

DOWSIL™ 890-SL Silicone Joint Sealant

Self-leveling silicone sealant for concrete and concrete to asphalt pavement joints.

Features & Benefits

- Self-leveling, no tooling required.
- Can be extruded from -20 to 120°F.
- Flows into irregular joint widths and does not require tooling.
- Movement capability 100% extension and 50% compression.
- Ultra-low modulus.
- Weather and UV resistant.
- Fuel resistant-short term exposure. Refer to Dow form number 62-207 for more information.
- Cold applied, ready-to-use as supplied. No heating or special preparation.
- Unprimed adhesion-primer is not required for Portland cement concrete and asphalt which results in labor and material savings.
- Skin over- typically, the sealant will have a skin-over time of one hour or less at standard conditions allowing roadways to quickly be opened to traffic.

Composition

- One-part, cold applied, self-leveling silicone

Applications

- DOWSIL™ 890-SL Silicone Joint Sealant can be used for concrete to concrete and concrete to asphalt pavement joints.
- For use in new construction, repair or remedial applications. DOWSIL 890-SL Silicone Joint Sealant can be used to seal irregularly shaped and spalled joints.

Typical Properties

Specification Writers: These values are not intended for use in preparing specifications.

Test ¹	Property	Result	D 5893 Requirement
	As supplied		
	Color	Dark gray	
ASTM C 639	Flow	Pass	Smooth, level
ASTM C 1183	Extrusion rate, minimum	231 mL/min	20 mL/min
ASTM C 679	Tack free time	Pass	5 hours max

1. ASTM: American Society for Testing and Materials

Typical Properties (Cont.)

Test	Property	Result	D 5893 Requirement
ASTM C 792	Heat aging	0.97%	10% loss max
ASTM C 661	Durometer Shore 00	41	30 minimum
ASTM D 1475	Specific gravity	1.26–1.34	
	Cure time, ½" x ½" x 2" (73°F, 50% R.H.)	Pass	21 day cure
As Cured – 21 days at 25°C (77°F) and 50% RH			
	Bond, non-immersed	Pass	No cracks or separation
	Bond, water immersed	Pass	No cracks or separation
	Bond, oven aged	Pass	No cracks or separation
ASTM D 412	Ultimate elongation	1400%	600% min
ASTM D 412	Tensile stress @ 150%	19 psi	45 psi max
ASTM C 793	Effects of accelerate weathering	Pass	5,000 hours
	Resilience	77%	75% min
ASTM C 719	Joint movement capability, +100/-50 percent, 10 cycles	No failure	

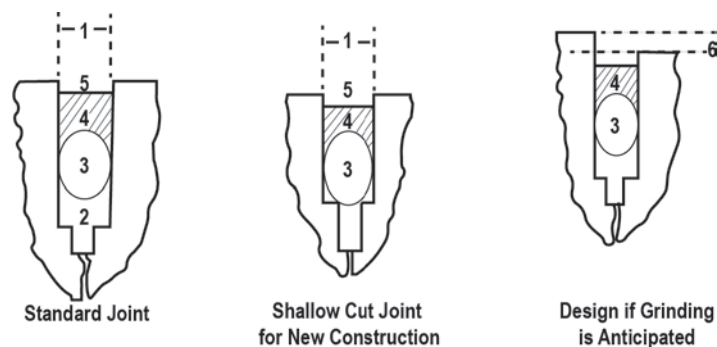


Figure 1: Good Joint Design

¹Joint width wide enough to accommodate movement. (For additional information on joint width, see papers by Spells and Klosowski, "Silicone Sealants for Use in Concrete Construction," Vol. 1, No. 1, American Concrete Institute, SP-70, 1981; J.B. Cook, "Construction Sealants and Adhesives," Wiley-Interscience, 1970; and J.M. Klosowski, "Sealants in Construction," Marcel Dekker, 1989.)

²Joint sawed deep enough to allow backer rod/sealant placement and space for pumping of old sealant compounds. NOTE: This applies to standard joints only; void space beneath backer rod in new construction is not needed.

³Proper backer rod placement to prevent three-sided adhesion.

⁴Sealant installed to proper depth and width.

⁵Sealant recessed a minimum of 3/8 inch to 1/2 inch (9.53 mm to 12.7 mm) below pavement surface.

⁶Depth of lowest slab determines the amount of recess required if grinding is anticipated; once grinding is complete, the sealant will have proper recess below the pavement surface.

Description

DOWSIL 890-SL Silicone Joint Sealant is a one-part, self-leveling silicone material that cures to an ultra-low-modulus silicone rubber upon exposure to atmospheric moisture. The cured silicone rubber remains flexible from -20 to 300°F.

UNRESTRICTED – May be shared with anyone

®™ Trademark of The Dow Chemical Company ("Dow") or an affiliated company of Dow

DOWSIL™ 890-SL Silicone Joint Sealant

© 2017 The Dow Chemical Company. All rights reserved.

Description (Cont.)	Asphaltic paving materials have low tensile strengths. It is important to use an ultra-low modulus material when sealing these substrates to ensure minimal strain is placed on the asphaltic joint face.
Applicable Standards	<ul style="list-style-type: none"> • ASTM D 5893 Type SL • FAA P-605 for silicone joint sealants • Meets SS-S-200E (section 4.4.12) Flame Test Requirements • EN 14187-5 Hydrolysis Test • EN 14188-2 Class B, C and D
How To Use	Please refer to the Dow Silicone Pavement Sealants Installation Guide, form number 61-507.
Handling Precautions	PRODUCT SAFETY INFORMATION REQUIRED FOR SAFE USE IS NOT INCLUDED IN THIS DOCUMENT. BEFORE HANDLING, READ PRODUCT AND SAFETY DATA SHEETS AND CONTAINER LABELS FOR SAFE USE, PHYSICAL AND HEALTH HAZARD INFORMATION. THE SAFETY DATA SHEET IS AVAILABLE ON THE DOW WEBSITE AT WWW.CONSUMER.DOW.COM, OR FROM YOUR DOW SALES APPLICATION ENGINEER, OR DISTRIBUTOR, OR BY CALLING DOW CUSTOMER SERVICE.
Usable Life And Storage	Keep stored in original, unopened containers at or below 32°C (90°F). Refer to product packaging for "Use By" date. Keep containers tightly closed.
Packaging Information	DOWSIL 890-SL Silicone Joint Sealant is supplied in 29 fl oz (857 mL) disposable plastic cartridges, 4.5 gal (17 L) bulk pails, and 50 gal (189 L) bulk drums.
Limitations	<p>DOWSIL 890-SL Silicone Joint Sealant is not recommended for continuous water immersion. It should not be applied in totally confined spaces where the sealant is not exposed to atmospheric moisture.</p> <p>The sealant should never be applied to wet or damp asphalt or concrete pavements or installed during inclement weather.</p> <p>Contact Dow prior to specifying for or installing in airfield runway applications.</p> <p>Dow does not promote or warrant the use of DOWSIL™ sealants in applications associated with spill containment areas of any kind.</p> <p>This product is neither tested nor represented as suitable for medical or pharmaceutical uses.</p>
Shipping Limitations	None.

Health And
Environmental
Information

To support customers in their product safety needs, Dow has an extensive Product Stewardship organization and a team of product safety and regulatory compliance specialists available in each area.

For further information, please see our website, www.consumer.dow.com or consult your local Dow representative.

Table 1: Recommended Backer Rod Installation (Shallow Cut)¹

Measured in Inches						
Joint Width	1/4	3/8	1/2	3/4	1	> 1
Recessed Below Surface	3/8	3/8	3/8-1/2	3/8-1/2	1/2+	Contact Dow
Sealant Thickness	1/4	1/4	1/4	3/8	1/2	
Backer Rod Diameter	3/8	1/2	5/8	7/8	1 1/4	
Total Joint Depth	1-1 1/8	1 1/8-1 1/4	1 1/4-1 3/8	1 5/8-1 3/4	2 1/4-2 3/8	
Measured in Millimeters						
Joint Width	6	9	13	19	25	
Recessed Below Surface	9	9	9-13	9-13	13+	
Sealant Thickness	6	6	6	9	13	
Backer Rod Diameter	9	13	16	22	32	
Total Joint Depth	25-29	29-32	32-35	41-45	57-60	

1. On road surfaces where grinding is planned at a later date, the sealant and backer rod should be installed so that sealant is approximately 3/8 inch (9.35 mm) below the road surface after grinding is complete. An additional small amount should be added to allow for surface imperfections on the bottom and to provide room for old sealant to pump up from below during rehabilitation work in the summer months.

<http://www.consumer.dow.com>

LIMITED WARRANTY INFORMATION – PLEASE READ CAREFULLY

The information contained herein is offered in good faith and is believed to be accurate. However, because conditions and methods of use of our products are beyond our control, this information should not be used in substitution for customer's tests to ensure that our products are safe, effective, and fully satisfactory for the intended end use. Suggestions of use shall not be taken as inducements to infringe any patent.

Dow's sole warranty is that our products will meet the sales specifications in effect at the time of shipment.

Your exclusive remedy for breach of such warranty is limited to refund of purchase price or replacement of any product shown to be other than as warranted.

TO THE FULLEST EXTENT PERMITTED BY APPLICABLE LAW, DOW SPECIFICALLY DISCLAIMS ANY OTHER EXPRESS OR IMPLIED WARRANTY OF FITNESS FOR A PARTICULAR PURPOSE OR MERCHANTABILITY.

DOW DISCLAIMS LIABILITY FOR ANY INCIDENTAL OR CONSEQUENTIAL DAMAGES.

